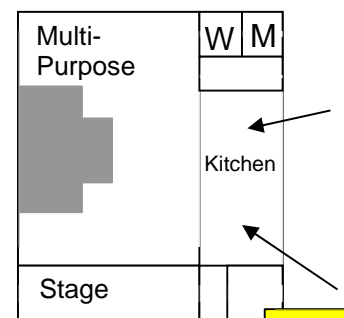
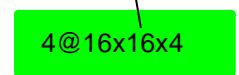
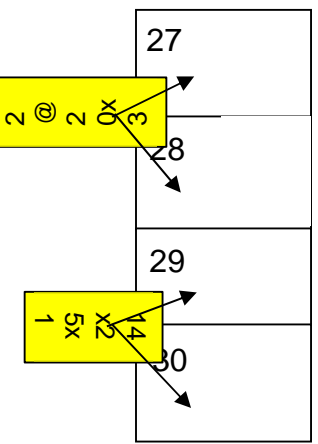
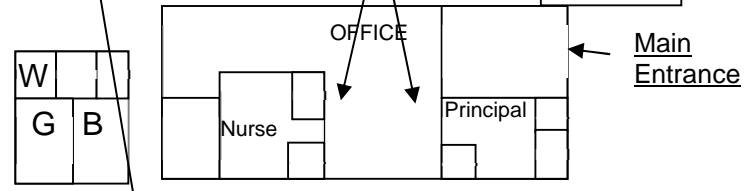
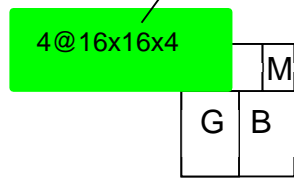
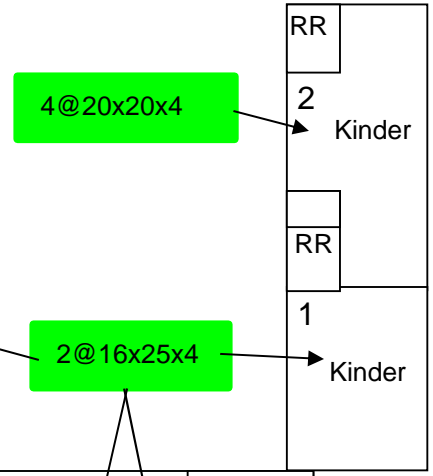
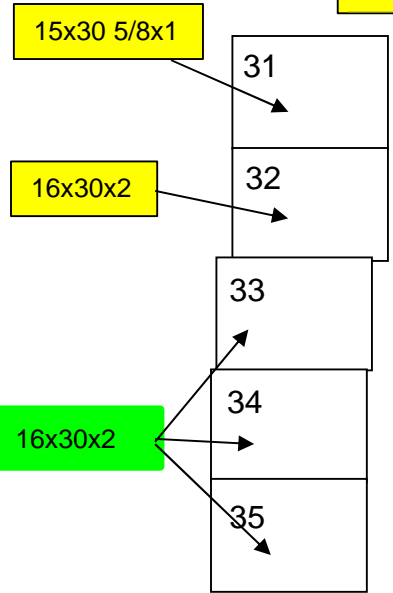


MERV 8  
MERV 13



5x30@4



**Peter Burnett Elementary School**  
6032 36th Avenue  
Sacramento, CA 95824  
277-6290

